

# **TOUCHSTONE**

## **Surface Heater Controller System**

For controller CIHC-300-01-01-01

### **Installation & Operating Instruction Manual**



## Important Safety Instructions

**PLEASE READ CAREFULLY PRIOR TO  
Troubleshooting and Servicing Electrical Equipment**

### Definitions:

**WARNING** (May cause serious injuries or death)

**CAUTION** (May cause property damage)

For information on NuWhirl Instructions, see:  
[www.nuwhirl.com/docs/product-instructions.html](http://www.nuwhirl.com/docs/product-instructions.html)

When installing and using this electrical equipment, basic safety precautions should always be followed, including:

**WARNING:** Keep dry. Replace control if exposed to water, moisture or contamination.

**WARNING:** Use and follow these instructions along with all instructions that have been provided with your whirlpool bathtub in order to fully enjoy the bathtub safely.

**WARNING:** Electronic control system components should be installed as per local and national Electrical Codes, in a location not to be subjected to splashing or flooding. Exposure to water or splashing will void all product certifications and warranties.

There are no user serviceable parts inside. Opening, modifying, or tampering with control system components will void all product certifications and warranties.

**WARNING:** Risk of electric shock. Connect only to a ground type receptacle or power supply junction box protected by a Ground-Fault Circuit Interrupter (GFCI). Contact a qualified electrician if you cannot verify that the power supply is protected by a GFCI. The GFCI should be tested on a routine basis. Consult the GFCI manufacturer's instructions for correct testing and operation.

For electrical connections, see applicable wiring diagram.

See [www.nuwhirl.com/docs/product-instructions.html](http://www.nuwhirl.com/docs/product-instructions.html)

Do not use an extension cord to connect the product to the electric supply; provide a properly located receptacle or junction box.

**WARNING:** Failure to install in strict accordance with each and every instruction above may compromise the system, which may cause injury to persons and/or property.

The tub may be supplied from more than one power source. Before working on any electrical device, make sure all power to the control system is off.

Use this unit only for its intended use as described in this manual. Do not use attachments not recommended by the manufacturer. Any improper installation or misuse of the equipment may result in injury to the user and will void the warranty.

**Save these instructions.**

# TOUCHSTONE Surface Heater Control System Installation Instructions

---

Your whirlpool bathtub has been equipped with TOUCHSTONE Electronic Controls to provide features that allow you to customize your bathing experience to your individual preference. Please familiarize yourself with the features and operating instructions below in order to maximize the enjoyment you receive from your bath. These operating instructions should be used in conjunction with the other instructions and warnings provided with your whirlpool bathtub in order to fully understand and safely utilize the bathtub.

## System Features

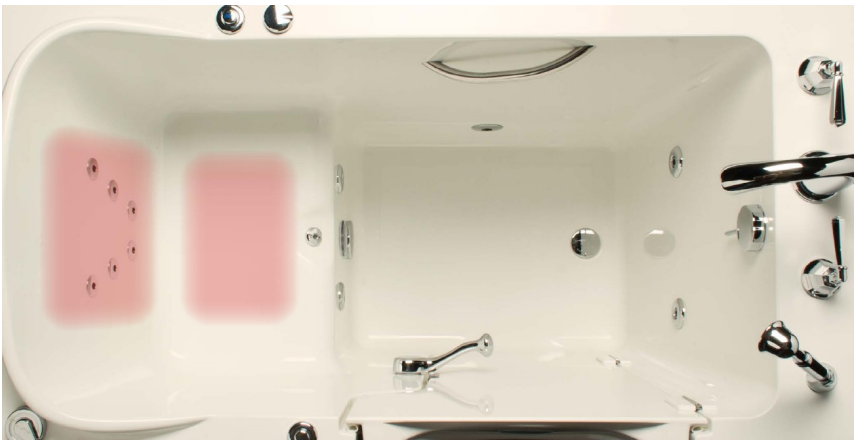
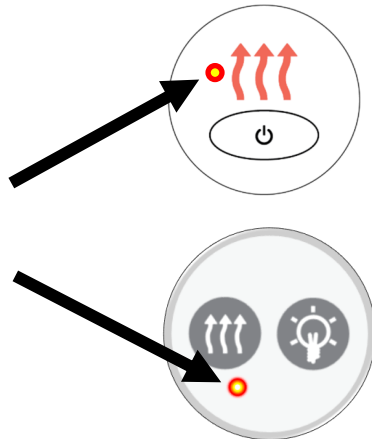
- Electronic Keypad
- Automatic 30-minute timer
- Surface Heaters
- Optional Multicolor Tub Lights



## Electronic Keypad

Your Surface Heater System is controlled by a single electronic keypad power switch or combination heater and light keypad.

When LED is lit  
the Surface  
Heaters are  
running.



# TOUCHSTONE Surface Heater Control System

## Installation Instructions

---

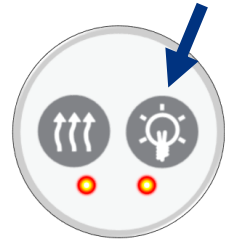
## Operating Instructions

### Surface Heaters

It is recommended to turn the Surface Heater ON 5-10 minutes prior to entering the tub. Once the Heater Button is pressed the red LED indicator will illuminate and start a 30-minute timer. The Heater will begin to warm the surface of the seat and/or back wall. The temperature will increase to a comfortable level within a 5-10 minute period. To turn off the Surface Heater earlier press the Surface Heater button.

### Optional Multi-color Tub Light

The Multi-color Tub Light is activated by pressing the light icon key on the combination electronic keypad at any time.



#### Rainbow Mode:

The first press will put the light in a “Rainbow” mode, rotating through each of the color variations.

#### Single Color Mode:

Subsequent press-and-release of the light key will illuminate a single light color in the following order: White, Blue, Aqua, Green, Yellow, Red, Magenta

#### Power off:

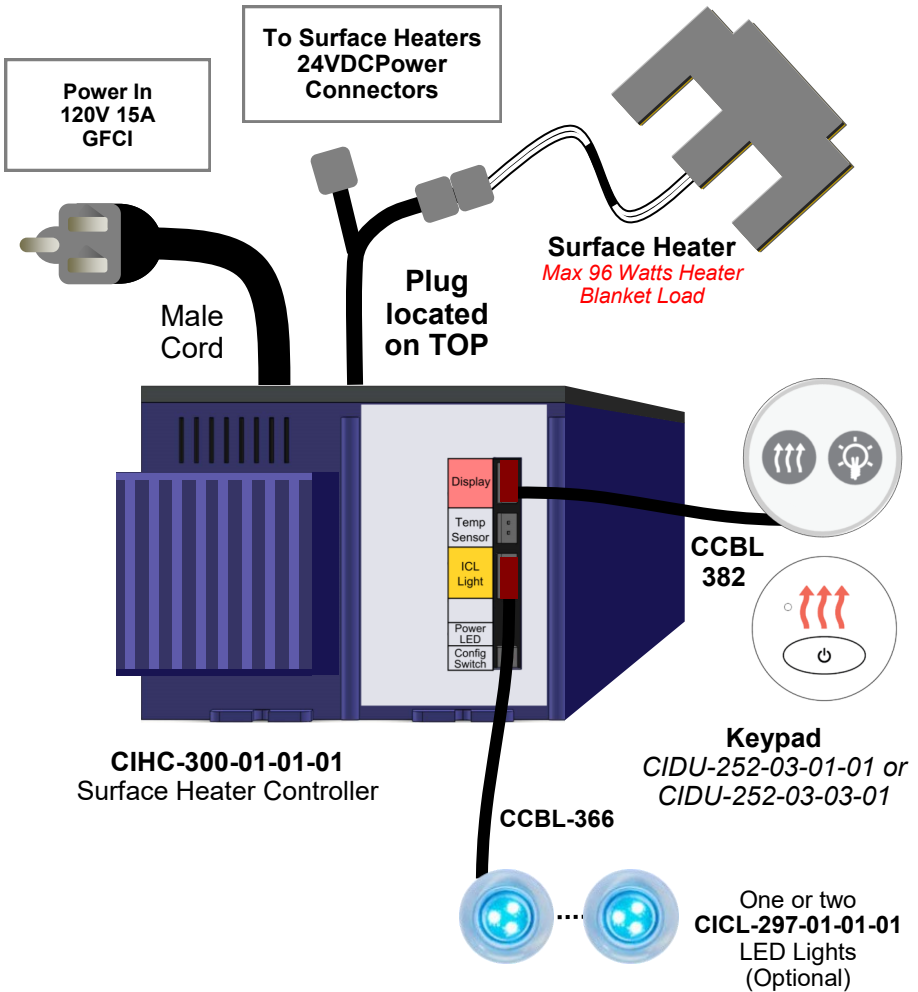
To turn off the Light press and hold the light key at any time.



## System Identification: CIHC-300-01-01-01

**System features:** Electronic Keypad, Timer, Surface Heaters, Optional Multi-color LED Lights

### Controller Installation



# TOUCHSTONE Surface Heater Control System Installation Instructions

---

Connect cables to ports as shown. Installation may not require the use of all connection ports.

**CAUTION:** Failure to connect cables to ports as shown, may damage the control box and its components and void any warranties.



# Retain this manual for future reference

**For your records and future reference  
please fill in data below:**

**Manufacturer:** \_\_\_\_\_

**Model:** \_\_\_\_\_

**Serial:** \_\_\_\_\_

**Date of Installation:** \_\_\_\_\_

